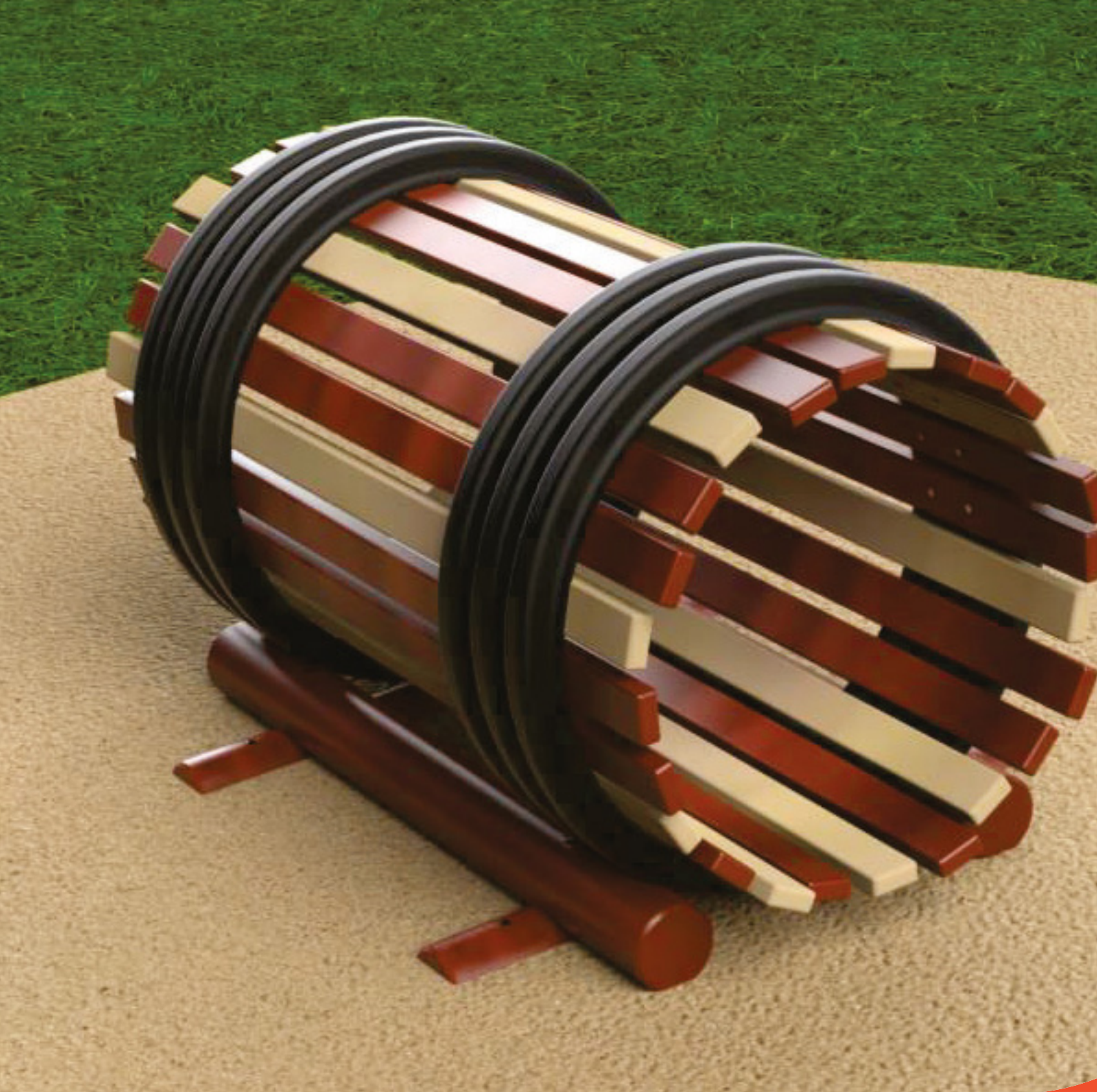




NATURAL EQUIPMENT

Our Natural Playgrounds are designed to foster a connection with the environment, using natural materials like wood, stones, and native vegetation to transform any area into a world of adventure.



**IMAGINE A SPACE WHERE CHILDREN CAN
PLAY, EXPLORE, AND LEARN SURROUNDED
BY THE BEAUTY OF NATURE**

SELF-SUPPORTING CEDAR CASK

The barrel has always been one of the children's favorite pieces of equipment. Inside you feel safe, and you can hide in it and imagine all kinds of games. The little ones will be able to crawl through it while the older ones will enjoy riding on it. This equipment promotes socialization and you can install several of them end-to-



PRODUCT CODE: TRTN-01



PERFECT FOR PARKS, SCHOOLS, OR COMMUNITY SPACES, OUR NATURAL PLAYGROUNDS ARE MORE THAN JUST PLAY AREAS—THEY ARE ENVIRONMENTS THAT CONNECT CHILDREN WITH NATURE WHILE THEY HAVE FUN.

FEATURES

Age group:

18 months to 5 years and 5-12 years

Capacity: 2 children

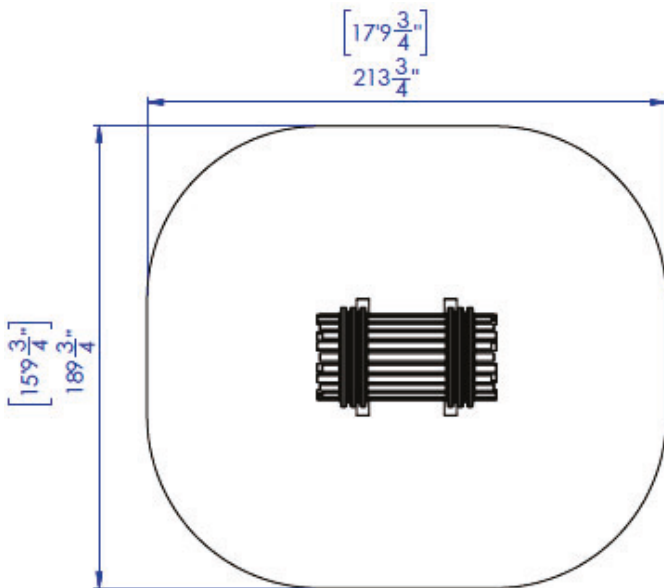
Children's favorite

GAME VALUES

- Crawl
- Balance
- Jumping
- Lift oneself up

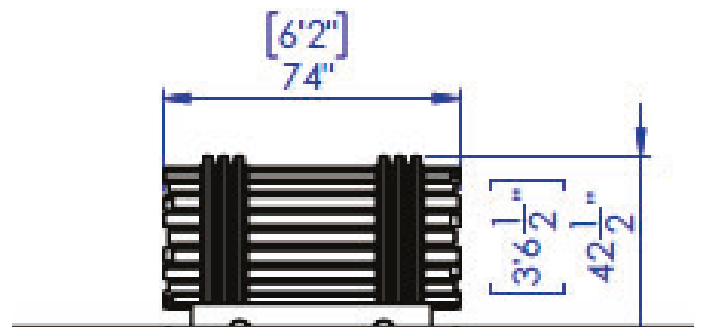
Surface required

18ft x 16ft

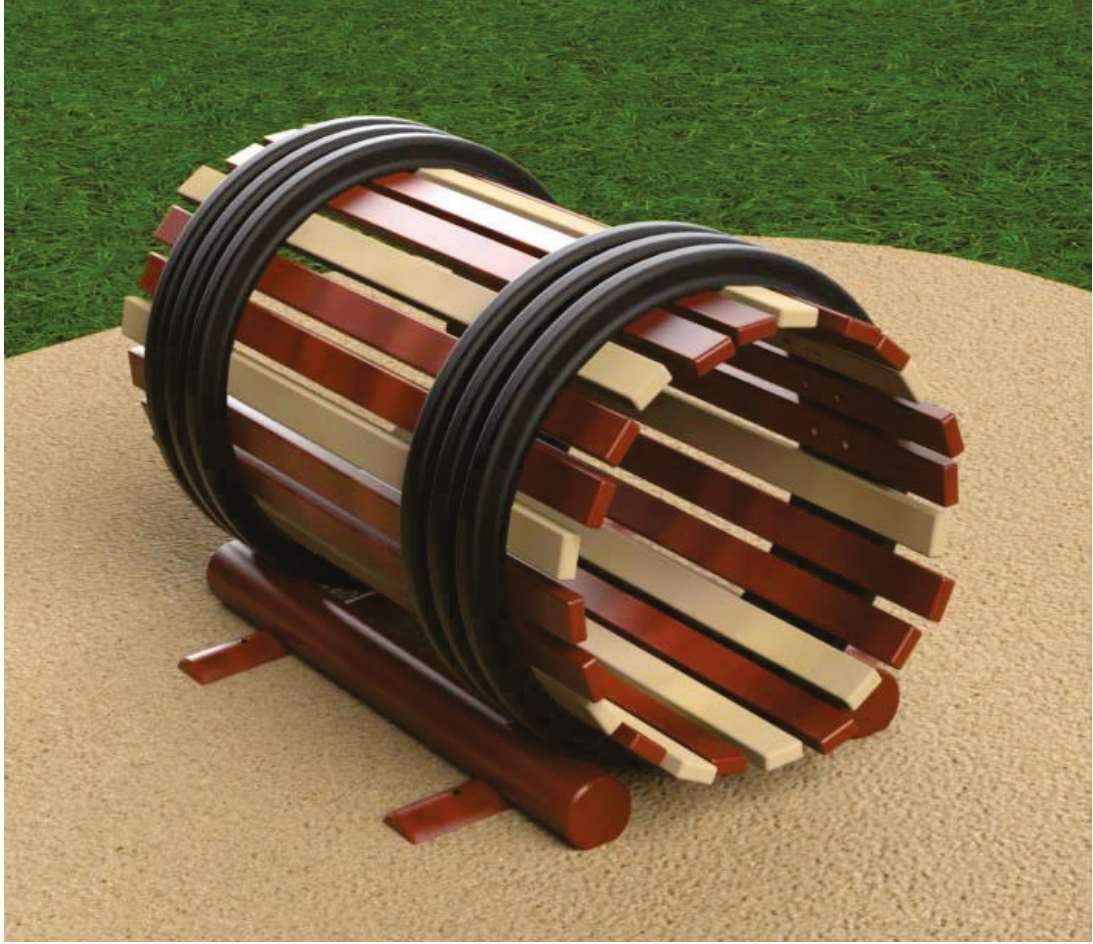


Above-ground equipment

L. 6,5ft W. 4ft H. 3,5ft



NATURAL
EQUIPMENT







CONTACT US.

32615 South Fraser Way #2302, Abbotsford, BC V2T 1X8

info@westplay.ca

+1 604.424.4168

www.westplay.ca

[Facebook.com/westplayca](https://www.facebook.com/westplayca)

[YuoTube/Westplay Canada](https://www.youtube.com/WestplayCanada)

[Instagram.com/westplayca](https://www.instagram.com/westplayca)

We guarantee you the best quality equipment available at the best price in the market.

